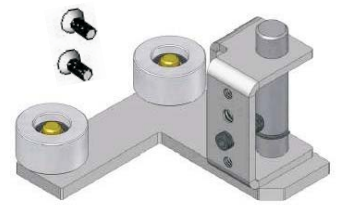
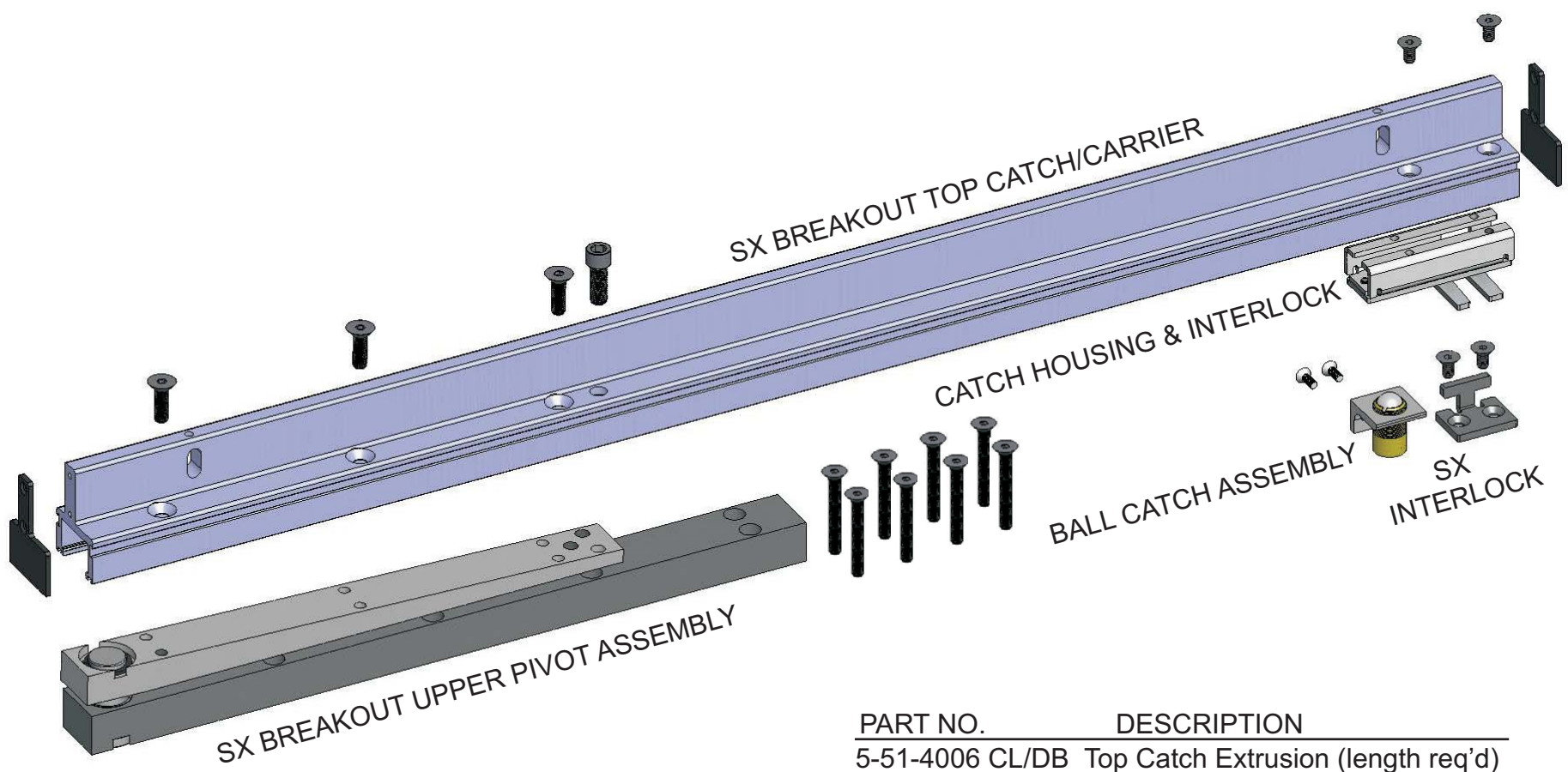




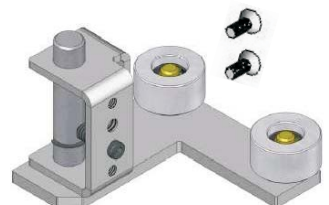
record-USA
 4324 Phil Hargett Ct.
 Monroe, NC 28110
 (704) 289 - 9212

TOP BREAKOUT & BOTTOM GUIDE ASSEMBLIES
HM &/OR WOOD DOOR BY OTHERS

APR10

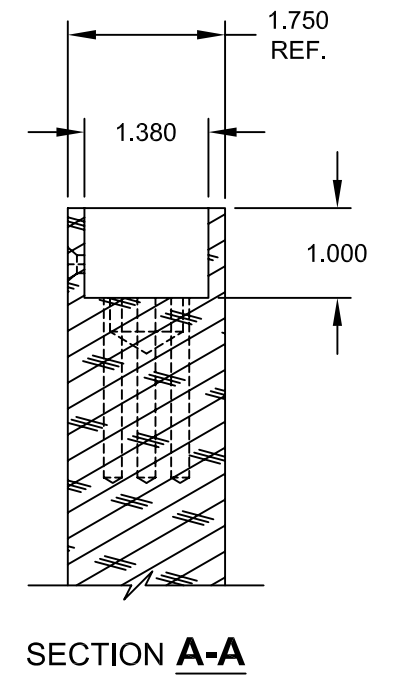
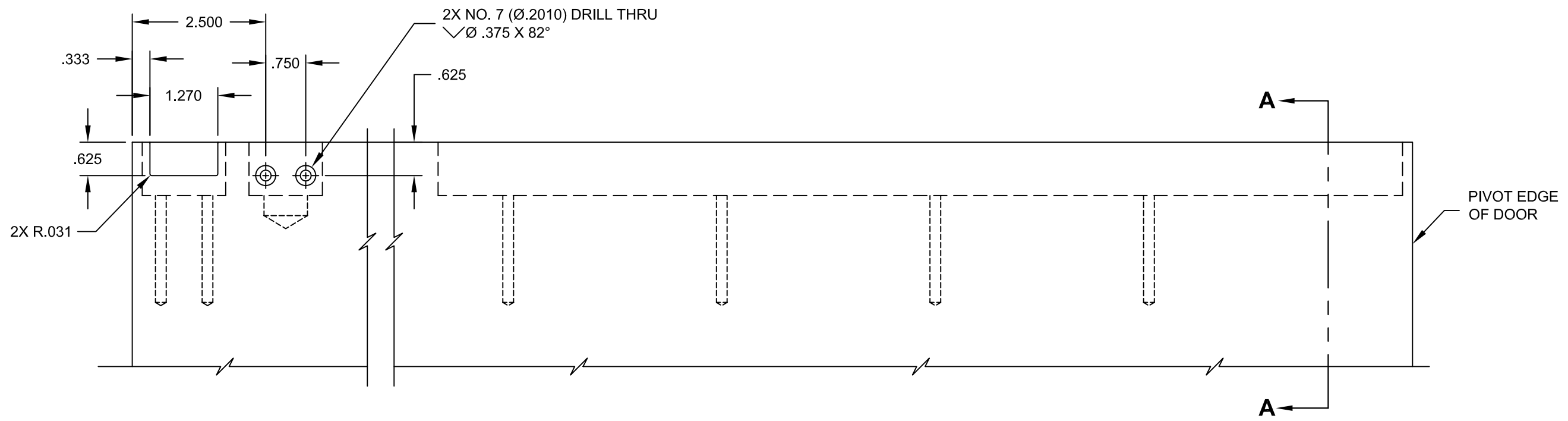
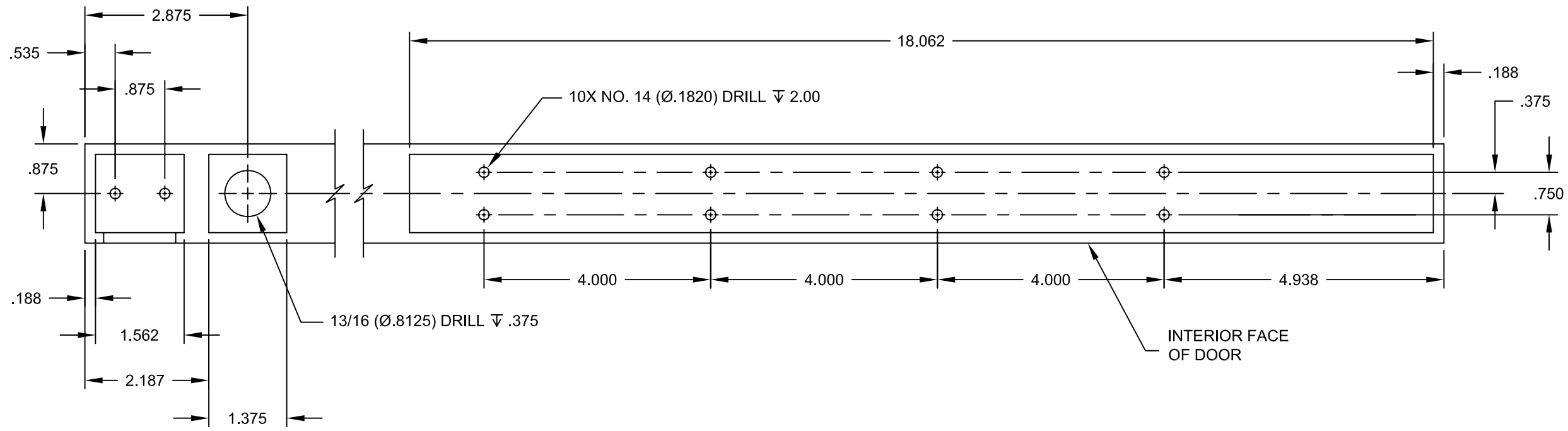


4-11-0470 LH
Sway Guide Assembly



4-11-0471 RH
Sway Guide Assembly

PART NO.	DESCRIPTION
5-51-4006 CL/DB	Top Catch Extrusion (length req'd)
4-51-1049	Endcap, Top Catch
4-51-1038/1039	Door Catch Housing & Interlock
4-52-0012	Ball Catch Assembly
4-52-1004	SX Lower Interlock
4-52-0001	SX Upper Pivot Assembly
4-51-1051	Upper Pivot Arm
4-51-1052	Lower Pivot Arm
4-51-1053	Pivot Pin
9-07-0027	Bushing
9-99-4626	Snap Ring
81-0011-2815	Bolt, 5/16-24 X 1" FHSCS
81-0016-2771	Bolt, 3/8-24 X 1" SCS
Include Mounting Hardware	



NOTES:

1. LH DOOR SHOWN, RH DOOR OPPOSITE.
2. ALL INSIDE CORNERS OF MORTISES TO BE SHARP AS SHOWN.
3. ALL MORTISES TO BE CENTERED ON OF DOOR THICKNESS.

DO NOT SCALE DRAWING

PROPRIETARY AND CONFIDENTIAL

THE INFORMATION CONTAINED IN THIS DRAWING IS THE SOLE PROPERTY OF record-usa. THIS DRAWING IS ISSUED IN CONFIDENCE FOR ENGINEERING INFORMATION AND IS TO BE RETURNED WHEN ITS PURPOSE HAS BEEN SERVED.

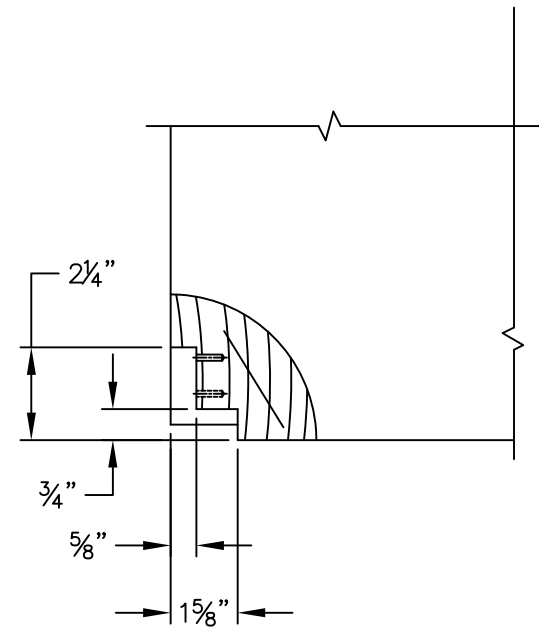
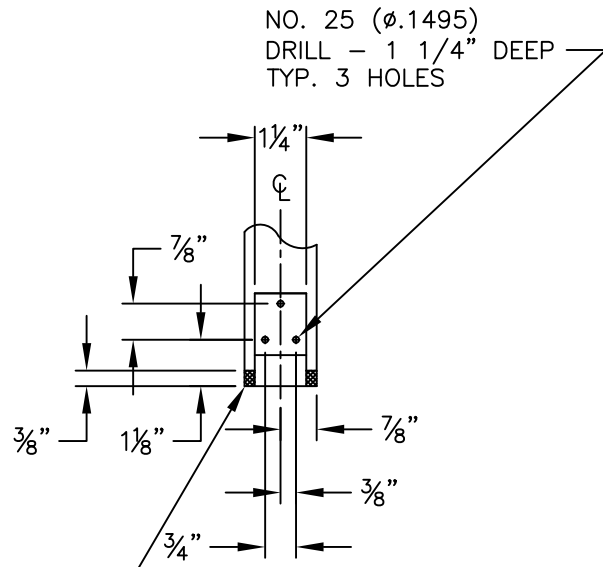
ANY REPRODUCTION IN PART OR IN WHOLE WITHOUT THE WRITTEN PERMISSION OF record-usa IS PROHIBITED.

record-usa
a member of the record group

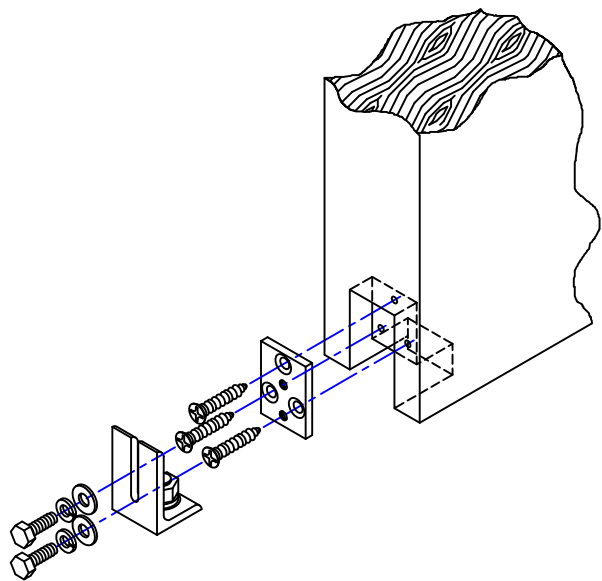
4910 STARCREST DRIVE (28110) P.O. BOX 3099 MONROE, NC 28111-3099 U.S.A.
PHONE: (704) 289-9212 TOLL FREE: (800) 438-1937 FAX: (704) 289-2024

TITLE:
SERIES 5100 SLIDING ENTRANCE SYSTEM
PREPARATION OF WOOD SLIDING DOOR
(BY OTHERS) FOR PANIC BREAKOUT HARDWARE

SIZE	DWG. NO.	REV
B		



REMOVE THIS MATERIAL FOR
 L.H. DOOR, OPPOSITE SIDE
 OF DOOR FOR R.H. DOOR



ISOMETRIC VIEW OF INSTALLATION OF
 SWAY GUIDE INTO BOTTOM OF DOOR
 (PLATE WITH ROLLERS NOT SHOWN)
 (NOT TO SCALE)

- NOTES:
1. ALL INSIDE CORNERS OF MORTISES TO BE SHARP AS SHOWN.
 2. DOOR VIEWED FROM EXTERIOR SIDE.

record-usa
 a member of the record group

4910 STARCREST DRIVE (28110) P.O. BOX 3099 MONROE, NC 28111-3099 U.S.A.
 PHONE: (704) 289-9212 TOLL FREE: (800) 438-1937 FAX: (704) 289-2024

record

TITLE SERIES 5100 SLIDING ENTRANCE SYSTEM
 DOOR PREP. FOR BOTTOM SWAY GUIDE
 FOR WOOD SLIDING DOORS
 (BY OTHERS)

DATE	9/18/97	DO NOT SCALE	DWG. NO.
BY	B ²	DRAWING	

NOTICE TO PERSONS RECEIVING THIS DRAWING AND/OR TECHNICAL INFORMATION
 KM Systems, Inc. claims proprietary rights to the material disclosed herein. This drawing and/or technical information is issued in confidence for engineering information only and may not be reproduced or used to manufacture anything shown or referred to hereon without direct written permission from KM Systems, Inc. to the user. This drawing and/or technical information is the property of KM Systems, Inc. and is loaned for mutual assistance, to be returned when its purpose has been served.
 THIS DRAWING AND/OR TECHNICAL INFORMATION IS THE PROPERTY OF KM SYSTEMS, INC.